

www.iss-sales-service.com Tel. 1-888-571-8112 Fax. 514-482-1640



ENERPAC 
Hydraulic Technology Worldwide

**Lift, push, press or
move loads safely
and smoothly.**

▼ Shown: LB-28



Low Clearance Lifting Using Compressed Air or Water

- Nine sizes with capacities from 3 to 74 tons; Kevlar® reinforced and “center target” marked to assure safety in use
- Aggressive high-friction surface to prevent bags from slipping
- Non-conducting rubber, resists oil and most chemicals; operating temperature range is -40 °F to 200 °F
- Larger sizes provided with Nylon® straps and heavy-duty reinforced lugs
- Industrial interchange air supply to deadman controller; safety coupler inflation hoses protect against accidental disconnections
- Inflatable using shop air or water



Plastic Cribbing

Safely support lifted loads using Enerpac Plastic Cribbing. Available in three sizes and as wedges to help stabilize stacks.



Ultra-low Clearance Loads

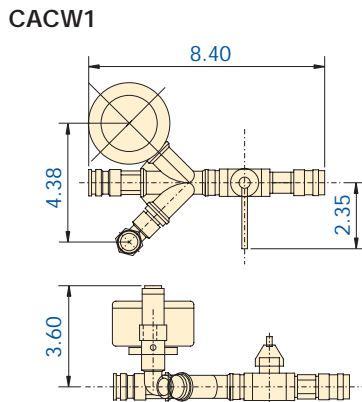
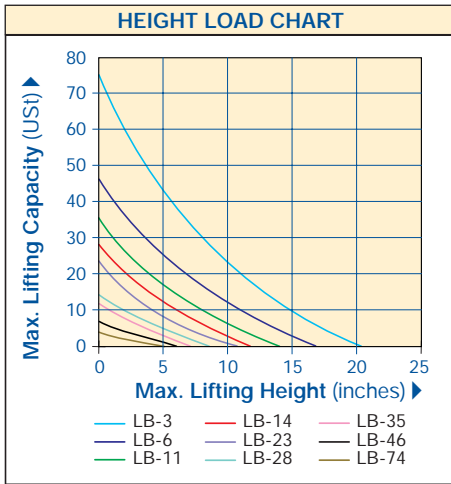
Lift up to 16 tons with minimal clearance gap of only .38 inches with LW-16 Lifting Wedge.



◀ Preparing to lift a CNC machining center.

*Lifting Bag Capacity (tons)	Max. Lifting Height (in)	Model Number	Collapsed Height (in)	Extended Height (in)
3	5.1	LB-3	1.1	6.2
6	5.9	LB-6	1.1	7.0
11	7.1	LB-11	1.1	8.2
14	8.7	LB-14	1.1	9.8
23	10.6	LB-23	1.1	11.7
28	11.8	LB-28	1.2	13.0
35	14.2	LB-35	1.2	15.4
46	16.5	LB-46	1.2	17.7
74	20.0	LB-74	1.2	21.3

* NOTE: Capacity is reduced as lift height increases.



LB Series



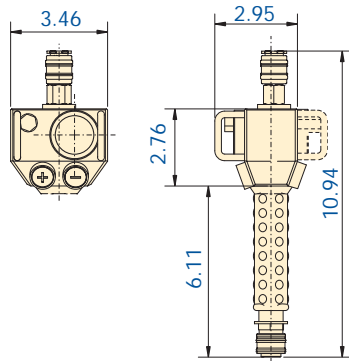
Minimum Clearance:
1.1 inches

Maximum Lift Height
5.1-20.0 inches

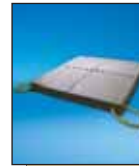
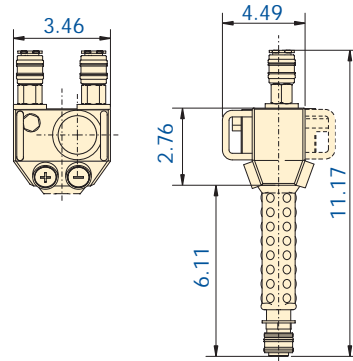
*Maximum Lift Capacity
3-74 tons

Maximum Operating Pressure:
116 psi

CACG1



CACG2



LPC-2421

Use a 24" x 24" lifting bag base under lifting bag to provide a flat surface and protect the lifting bag from debris damage.

Accessories

	Single Deadman Controller	Dual Deadman Controller	Yellow Inflation Hose (20 Ft)	Construction Compressor Adaptor	Portable Compressor Adaptor	Whip Safety Shutoff	Y Connector (1 Ft)	Water Service Blue Hose (20 Ft)	Water Service Blue Hose (Garden) (1 Ft)	Water Service Blue Hose (Standard) (1 Ft)	Ball Valve Controller
Model No.	CACG1	CACG2	A0820	CACA1	CAPA1	A0801	CAYC	WP801	W0820	W0801A	CACW1

*Capacity @ 50% Extended Height (tons)	Length (in)	Width (in)	Nylon Straps	Lugs	Air Required @ 116 psi (cu ft)	Maximum Operating Pressure (psi)	Burst Pressure (psi)	Weight (lbs)	Model Number
.70	9	9	-	-	0.53	116	464	2.8	LB-3
1.80	12	12	-	-	1.48	116	464	5.3	LB-6
4.00	15	15	-	-	3.04	116	464	8.8	LB-11
4.30	18	18	-	-	5.37	116	464	11.7	LB-14
7.20	22	22	-	-	10.45	116	464	17.9	LB-23
8.50	24	24	Yes	Yes	14.68	116	464	24.7	LB-28
9.80	27	27	Yes	Yes	21.92	116	464	29.3	LB-35
12.80	30	30	Yes	Yes	32.51	116	464	40.1	LB-46
21.00	36	36	Yes	Yes	53.13	116	464	55.8	LB-74

* NOTE: Capacity is reduced as lift height increases.